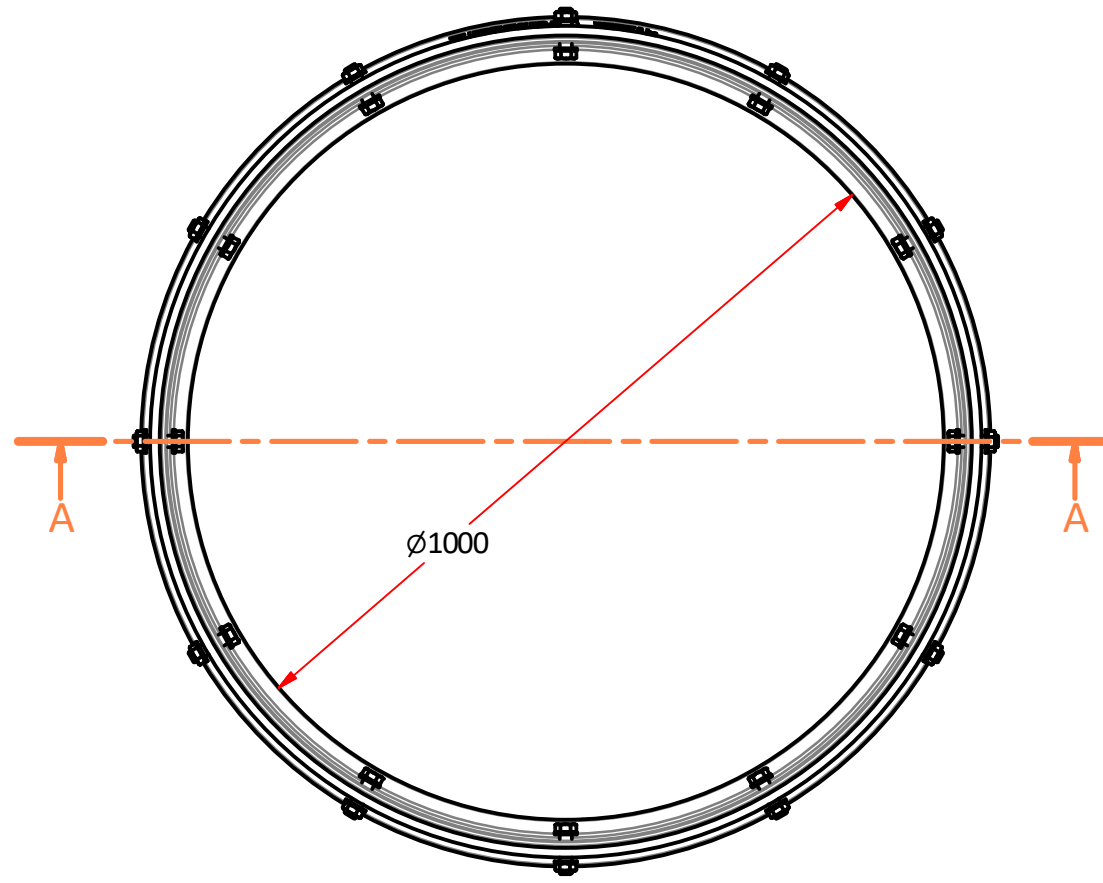
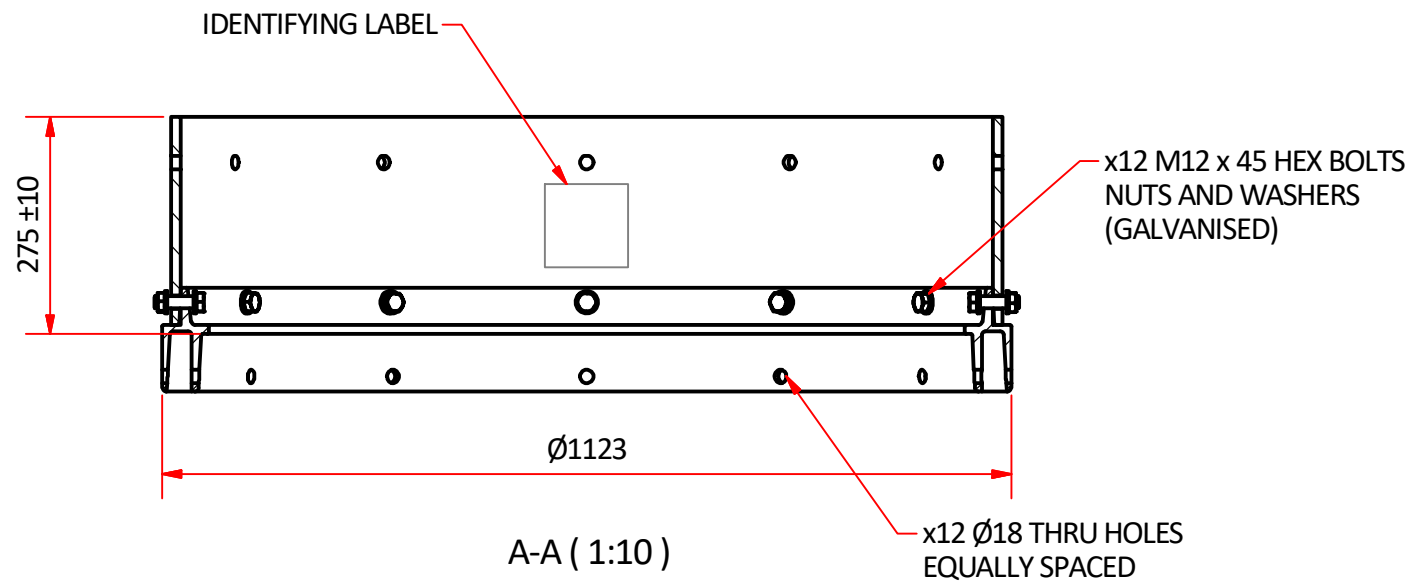


NOTES:

1. MADE TO SUIT T100 CIRCULAR PIT AS PER SD1681
TRI DWG 14840
2. MEETS CLASS B DESIGN LOAD AS PER AS3996 : 2019
3. PITS MAY ONLY BE EXTENDED BY THE APPROVEMENT
OF THE PROJECTS SUPERINTENDENT



TOP VIEW (1:10)



A-A (1:10)

General Notes;

1. All dimensions are in mm
2. Tolerance on all dimensions ± 3 mm unless stated otherwise

Copyright: TRI Underground Australia Pty Ltd

This instruction and all the information herein is the property of TRI Underground PTY LTD. It must not be copied, made public or used directly or indirectly, including manufacture of the product shown herein, without written approval. This instruction is loaned subject to these conditions and subject to return on demand.

Commercial in confidence

	Material LDPE/POLYPROPYLENE	Designed by IMD	Checked by HL	Approved by HA	Date 20/07/2022	Date 22/01/2022
	Weight APPROX. 24 kg	TRI Underground Australia			Title T100 TRITUFF CIRCULAR EXT. RISER 275 mm	
	Finish OFF MOULD				Dwg No. 14980	Edition A